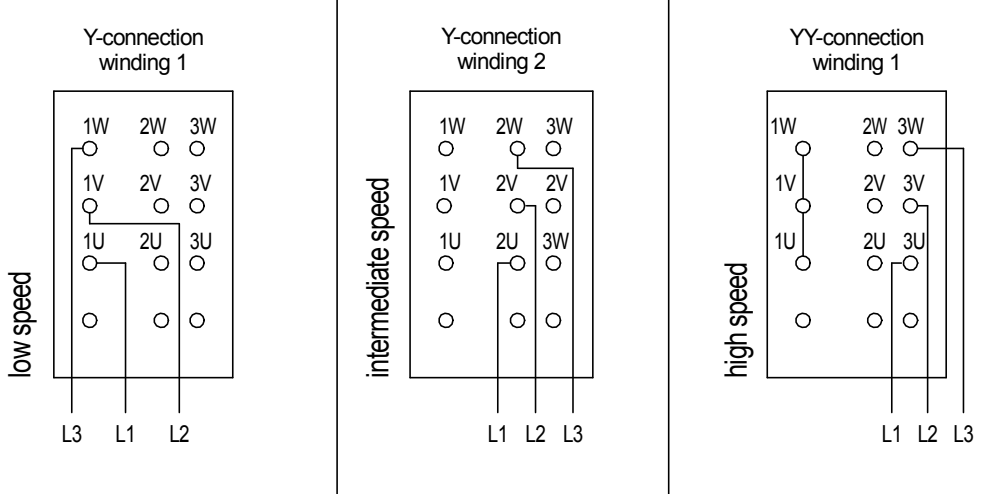



Three-phase motor for 3 speeds
 with 2 separate windings
 winding 1 in Dahlander connection for speed 1, 3

Conn. diagram
KP 0040



For pole-changing switch connect all terminals with pole-changing switch
 star connections for high speed by pole-changing switch

				Datum	24.09.2005
				Bearb	Kresse
				Gepr	
				Norm	
01				 Elektromotorenwerk Wernigerode	Zeichnungs-Nr. KP 0040 e
Zust.	Mitteilung	Datum	Name		