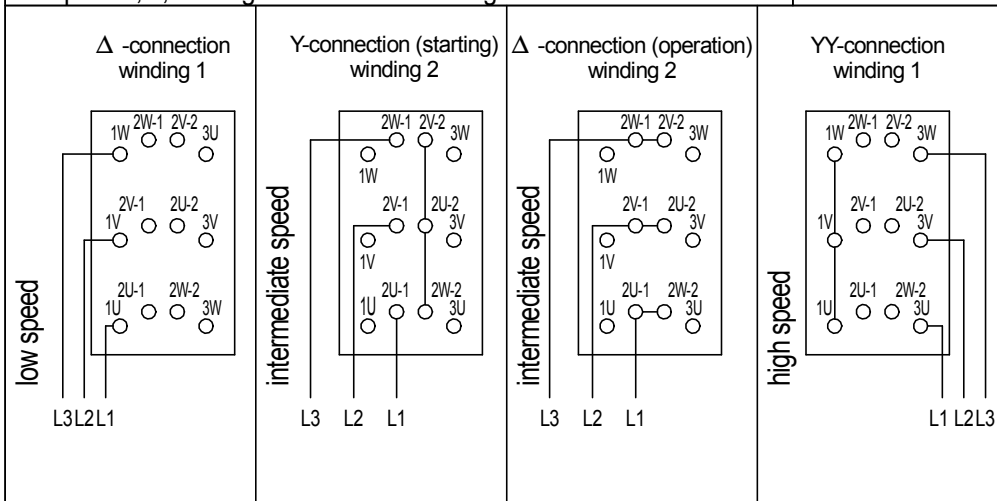



**Three-phase motor for 3 speeds**  
 with 2 separate windings, winding 1 in Dahlander connection  
 for speed 1, 3, winding 2 for star-delta starting

**Conn. diagram  
 KP 0037**



All terminals to the pole-changing switch with built-in star/delta-starting, star connections for high speed by pole-changing switch  
 Attention: During operating in high and low speed, the delta of the intermediate speed must be open!!!

			Datum	24.09.2005	
			Bearb	Kresse	
			Gepr		
			Norm		
			 Zeichnungs-Nr. <b>KP 0037 e</b>		
01					Elektromotorenwerk Wernigerode
Zust.	Mitteilung	Datum	Name		