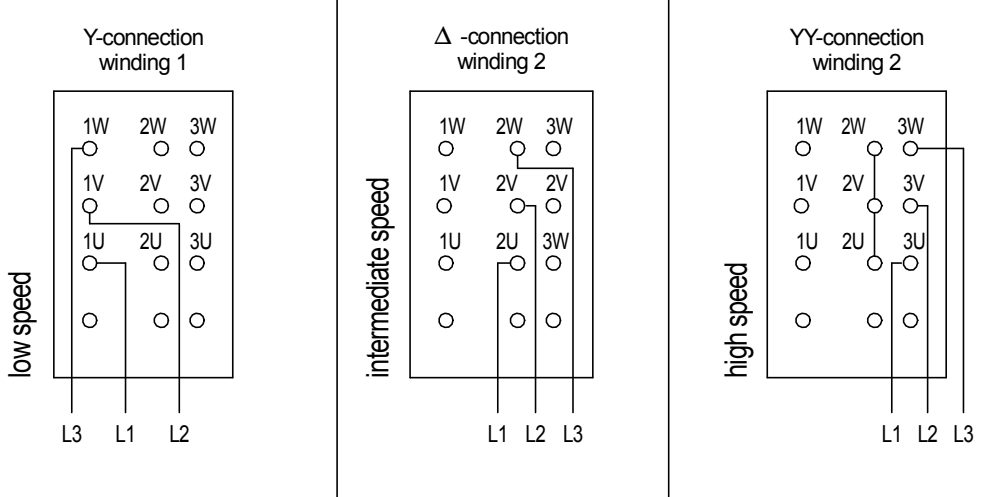



Three-phase motor for 3 speeds
with 2 separate windings
winding 2 in Dahlander connection for speed 2, 3

Conn. diagram
KP 0032



For pole-changing switch connect all terminals with pole-changing switch
star connections for high speed by pole-changing switch

				Datum	24.09.2005		
				Bearb	Kresse		
				Gepr			
				Norm			
						Zeichnungs-Nr.	KP 0032 e
01				Elektromotorenwerk Wernigerode			
Zust.	Mitteilung	Datum	Name				