



VEM  MOTOR

Transnorm motors

Contents

Product description _____	3/2
Overview of technical data _____	3/4
Motor selection data	
W4.R series for Premium Efficiency IE3 _____	3/5
Bearings _____	3/6
Terminal boxes _____	3/7
Dimensions _____	3/9

Product description

Electric machines from VEM are appreciated by millions of users worldwide, and the name VEM is respected as a seal of quality. Large and special machines, as well as standard motors and special drives, are operating reliably in all branches of industry. Plants of all kinds are equipped with motors, generators and drive solutions for the full range of voltages. These products have been demonstrating their strengths for decades, even when exposed to some of the most extreme operating conditions – whether the dust and heat of a rolling mill, explosive atmospheres in the chemical industry, or damp, salt-laden air on the deck of a ship. Our company can look back over more than 60 years of tradition and experience in the manufacturing of electric machines.

Technical features

- Efficiency class IE3
- Types of construction IM B3, IM B35 and IM V1 to IEC
- Degree of protection IP 55; optionally IP 56 or IP 65
- Robust, one-piece die-cast rotor
- Winding compliant with thermal class 155, optionally 180, vacuum-impregnated
- Optimised ventilation system with internal and external cooling from size 355 MX

Benefits

- Energy-efficient design compliant with efficiency class IE3
- Direct access to technical data and maintenance history via an RFID transponder
- Robust grey-cast iron housing and end shields
- Low-vibration design
- Compact design with smallest possible installation volume
- High electrical strength for mains and converter-fed operation

Diverse applications

The range of applications for motors of the latest VEM generation is practically unlimited. They are ideal as drives to transport liquid media or compress gases, but no less suitable for use in cement works, rolling mills or chemical plants. In conjunction with frequency converters, the motors enable operators to implement tailored process control. The optimised winding design permits use in variable-speed drive systems. A special mica-based winding system is available for converter-fed operation with converter output voltages up to 690 V. This system is designed for stresses in accordance with Curve B, IEC TS 60034-25.

With the new energy-efficient transnorm motor series W4.R, VEM has extended its low-voltage asynchronous motor range up to 710 kW. In addition, this design series is also available in a high-voltage version for the output range up to 750 kW.

The motor efficiency meets the requirements of class IE3 “Premium Efficiency” to IEC/EN 60034-30-1. Further development of the long-proven VEM design series, with corresponding expansion of the output range, addresses the increasing importance of energy efficiency and the ever stricter demands relating to environment protection.

- Relubrication facility with grease supply regulator
- Temperature monitoring with PTC thermistor (low voltage) or PT 100 (high voltage version)
- Generously dimensioned terminal box
- Incorporates an RFID transponder as standard (memory motor)
- Environment-friendly finish using water-based paint

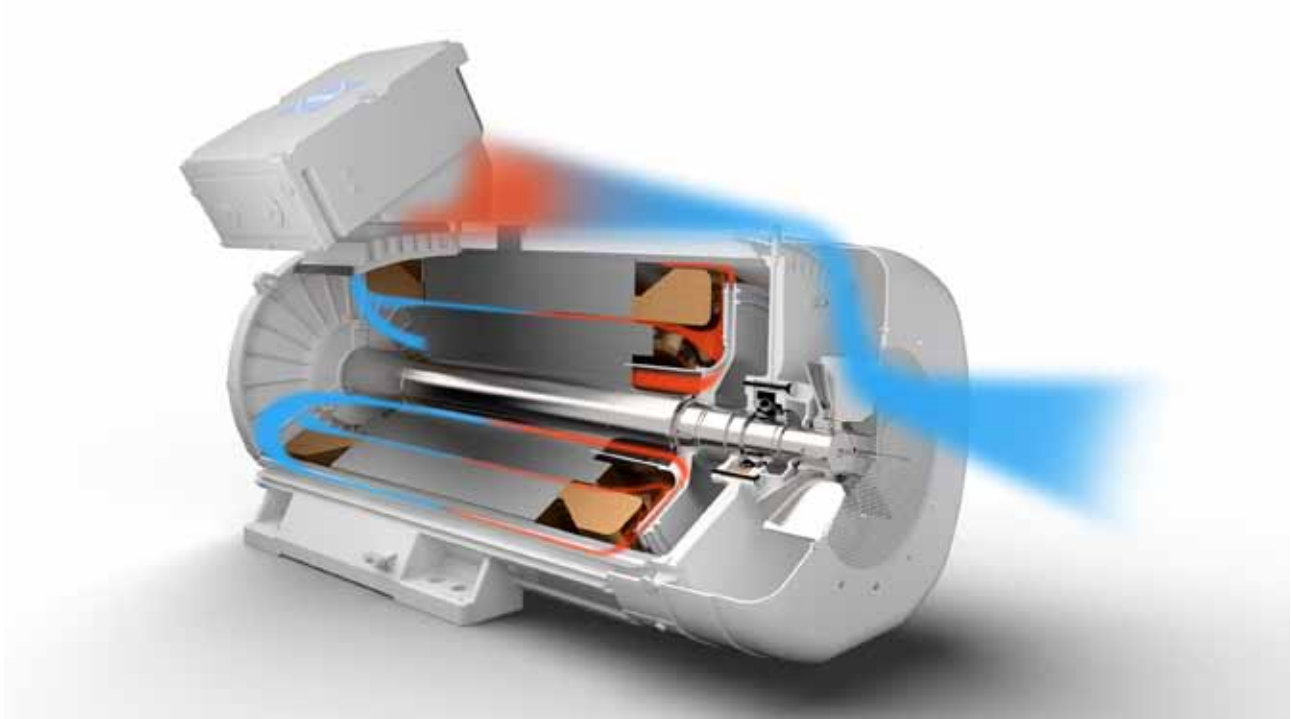
- Quiet running
- Paint finishes for climate classes “Moderate” and “Worldwide” to IEC 721-2-1
- Modern modular system
- State-of-the-art manufacturing methods ensure high operational reliability

Our motors comply with all relevant national and international regulations. All development, engineering, manufacturing and testing activities are governed by the stipulations of DIN ISO 9001 and are certified by DNV GL. As an option, versions for use in potentially explosive atmospheres (Zone 2 and Zone 22) can also be supplied. The motors meet the requirements of all applicable EU standards. Manufactured in Germany, they reflect an important element of our quality philosophy.

Design details

The new transnorm motors W42R/W52R break with the principle of exclusively rib cooling and incorporate an additional internal cooling system. An innovative ventilation system with a special twin-circuit internal fan provides for optimum cooling of the rotor, stator core and winding overhangs.

The robust motor housings, which are cast with additional ribs in the cooling channels using the latest foundry technologies, support this effect in conjunction with a new die-cast rotor concept and guarantee high efficiency ratings from an extremely compact design.



Sectional drawing Motor design

Memory design

The RFID technology has already been in successful use at VEM motors for a number of years. Important data describing the drive system are saved on an RFID tag, which is then attached permanently to the motor.

This additional functionality – referred to as “memory design” – is a standard feature for motors from size 400 (RFID system iID®2000, 13.56 MHz, based on ISO 15693). On smaller motors up to and including size 355, it is available

as an option. The memory chip of the transponder (tag) stores selected rating plate and motor data, along with additional technical information on any mounted accessories, selected spare parts, motor maintenance requirements, and possibly even customer or user data, where appropriate. It is furthermore possible to keep a regular log of all maintenance work performed.

Overview of technical data

The most important technical data are summarised in the following table. Further information can be taken from the catalogue section "Technical explanations".

Product group	Squirrel-cage rotor, IEC/DIN
Rated output	132 to 710 kW 2, 4, 6 and 8 poles
Sizes	355 to 400
Efficiency classification/ efficiency determination	IEC/EN 60034-30-1 / IEC/EN 60034-2-1, residual loss method
Housing material	Grey cast iron with cast-on motor feet
Rated torque	1000 to 5768 Nm
Method of connection	Single-speed motors are designed in star-delta configuration as standard.
Stator winding insulation	Thermal class 155, optional 155 [F(B)], 180 to IEC/EN 60034-1
Degree of protection	IP 55 to IEC/EN 60034-5, optionally IP 56 and higher
Type of cooling	Self-ventilated, IC 411 (series W4.R) Forced ventilation, IC 416 (series W4.F) Non-ventilated, IC 410 (series W4.O) to IEC/EN 60034-6
Coolant temperature/ installation altitude	Standard -20 °C to +40 °C, optional -40 °C to +60 °C Altitude 1000 m above sea level
Rated voltage	Standard voltages to EN 60038 50 Hz: 400 V, 500 V, 690 V 60 Hz: 460 V, 480 V, 600 V Voltage ranges A and B to IEC/EN 60034-1
Duty types	S1, continuous duty, Short-time duty S2, 10/30/60 min Duty type S3/S6, 25/40/60% c.d.f.
Type of construction	IM B3, IM B35, IM V1 and derived types to DIN EN 60034-7
Paint finish	Normal finish "Moderate", colour RAL 7031, blue-grey Special finish "Worldwide", colour RAL 7031, blue-grey
Vibration severity grade	Grade "A" as standard for machines with no special vibration requirements
Shaft ends	to DIN 748 (IEC 60072), balanced with half-key
Transponder	RFID System iID@2000 (13.56 MHz based on ISO 15693), standard from size 400, available as option for sizes 315 to 355
Limit speeds	Please refer to the section of "Limit speeds" in catalogue section "Motors for converter-fed operation", Chapter 4.
Bearing design	Please refer to the tables of "Bearing design data".
Motor mass	Please refer to the "Technical selection lists".
Terminal boxes	Please refer to the section "Terminal boxes".
Documentation	An operating and maintenance manual, a terminal plan and a safety data sheet are supplied with each motor.
Tolerances	Please refer to the section "Tolerances" in catalogue section "Introduction", Chapter 1.
Options	Please refer to the section "Overview of modifications" in catalogue section "Introduction", Chapter 1.

Motor selection data

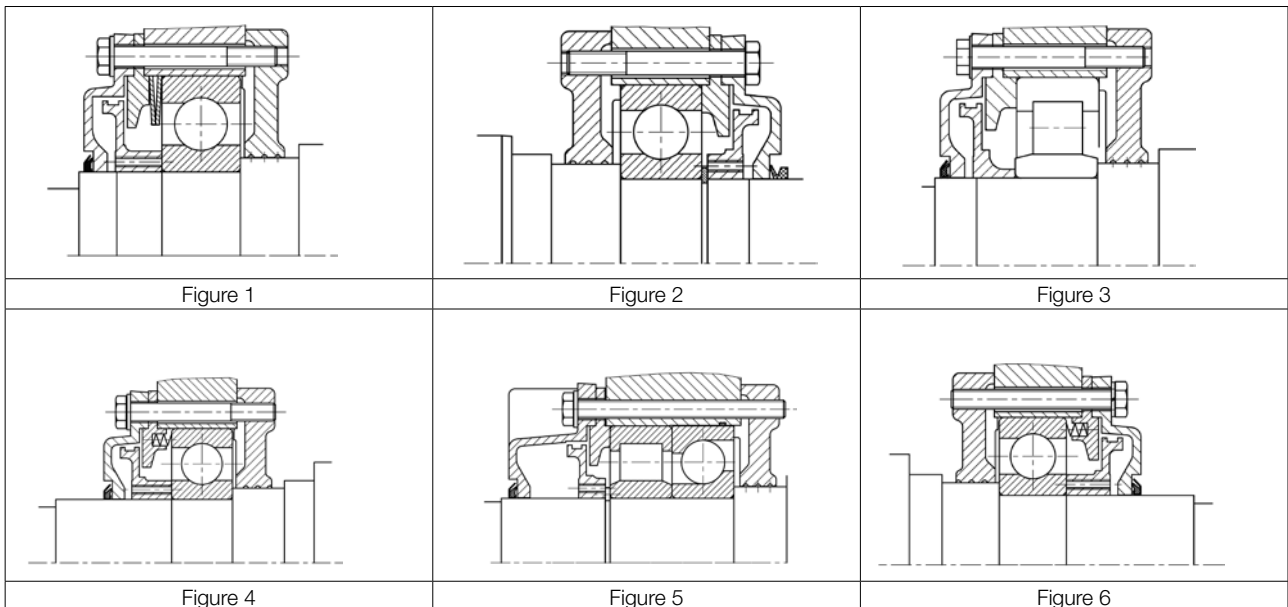
Transnorm motors, Premium Efficiency IE3 Three phase-motors with squirrel-cage rotor

with surface cooling, duty type S1, continuous duty
thermal class 155, degree of protection IP 55
Efficiency determination according to IEC/EN 60034-2-1

Motor selection data											Design point 400 V, 50 Hz					
Type	U _B V	f _B Hz	P _B kW	M _B Nm	n _B rpm	η _B to IEC/IEC 60034-2-1			cos φ _B -	I _B A	I _A /I _B -	M _A /M _B -	M _G /M _B -	M _K /M _B -	kgm ²	kg
						100 %	75 %	50 %								
Synchronous speed 3000 rpm – 2-pole version																
IE3-W41R 355 MY2G	400	50	315	1006	2990	96.0	96.0	95.5	0.90	526	8.5	1.4	1.0	2.7	4.1	1900
IE3-W41R 355 M2G	400	50	355	1136	2985	96.0	96.0	96.0	0.92	580	7.7	1.3	1.0	2.6	4.2	2000
IE3-W42R 355 MX2G	400	50	400	1278	2988	96.0	96.0	96.0	0.92	654	8.5	1.8	1.1	2.5	5.5	2275
IE3-W42R 355 L2G	400	50	500	1597	2990	96.2	96.2	96.2	0.90	834	11.0	2.2	1.4	3.2	7.1	2450
IE3-W42R 400 M2G	400	50	560	1786	2995	96.0	96.0	95.5	0.83	1014	9.0	2.8		3.0	8.44	3000
IE3-W42R 400 MX2G	400	50	630	2011	2992	96.0	96.0	95.5	0.91	1041	9.5	2.5		2.7	9.41	3200
IE3-W42R 400 L2G	400	50	710	2271	2985	96.0	96.0	95.5	0.9	1186	7.7	2.2	1.1	2.8	10.41	3400
Synchronous speed 1500 rpm – 4-pole version																
IE3-W41R 355 MY4	400	50	315	2016	1492	96.0	96.0	95.5	0.86	551	7.0	1.0	0.8	2.3	5.6	1950
IE3-W41R 355 M4	400	50	355	2271	1493	96.2	96.2	95.5	0.87	612	8.1	1.3	1.0	2.7	7.9	2150
IE3-W42R 355 MX4	400	50	400	2564	1490	96.2	96.2	96.2	0.84	714	8.2	1.7	1.4	2.4	9.5	2410
IE3-W42R 355 L4	400	50	500	3204	1490	96.4	96.4	96.0	0.84	891	7.4	2.5	1.2	2.3	10	2500
IE3-W42R 400 M4	400	50	560	3582	1493	96.3	96.3	96.0	0.87	965	10.5	2.0		2.5	12.6	2900
IE3-W42R 400 MX4	400	50	630	4027	1494	96.5	96.5	96.0	0.86	1096	10	3.1		3.3	14.33	3100
IE3-W42R 400 L4	400	50	710	4541	1493	96.5	96.5	96.5	0.86	1235	11.4	4.1		3.8	16.29	3400
Synchronous speed 1000 rpm – 6-pole version																
IE3-W41R 355 MY6	400	50	132	1267	995	95.4	95.0	94.0	0.80	250	10.0	2.4	1.9	3.6	8.1	1550
IE3-W41R 355 M6	400	50	160	1536	995	95.6	95.6	95.2	0.86	281	7.5	1.6	1.3	2.4	8.2	1850
IE3-W41R 355 MX6	400	50	200	1919	995	95.8	95.5	95.0	0.86	350	9	1.9	1.7	2.7	12.1	2200
IE3-W41R 355 L 6	400	50	250	2395	997	95.8	95.5	95.0	0.84	448	8.8	2.2	1.5	2.8	14	2450
IE3-W41R 355 LX6	400	50	315	3023	995	95.8	95.7	95.3	0.84	565	7.5	1.6	1.1	2.3	14	2450
IE3-W42R 355 MX6	400	50	200	1919	995	95.8	95.5	95.0	0.84	359	9.6	2.2	1.7	2.8	12.1	2350
IE3-W42R 355 LY6	400	50	250	2399	995	95.8	95.5	95.0	0.82	459	8.0	1.8	1.5	2.5	14	2450
IE3-W42R 355 L6	400	50	315	3023	995	95.8	96.0	95.7	0.84	565	7.8	2.0	1.5	2.2	14	2450
IE3-W42R 355 LX6	400	50	355	3407	995	95.8	95.8	95.4	0.81	660	8.4	2.1	1.4	2.7	14	2450
IE3-W42R 355 LZ6	400	50	400	3843	994	95.8	95.8	95.4	0.83	726	7.6	2.1	1.3	2.3	14	2450
IE3-W42R 400 MY6	400	50	355	3407	995	96.0	96.0	95.8	0.83	643	7.5	1.2	1.2	2.1	16.54	3000
IE3-W42R 400 M6	400	50	400	3839	995	96.2	96.2	96.0	0.83	723	8.0	1.5	1.3	2.5	16.54	3000
IE3-W42R 400 MX6	400	50	450	4314	996	96.0	96.0	95.8	0.84	805	7.6	1.5		2.2	18.44	3100
IE3-W42R 400 L6	400	50	500	4794	996	96.3	96.3	96.0	0.84	892	7.5	1.7		2.2	20.63	3320
IE3-W42R 400 LX6	400	50	560	5369	996	96.4	96.4	96.4	0.82	1023	7.5	1.7		2.2	20.63	3320
Synchronous speed 750 rpm – 8-pole version																
IE3-W41R 355 MY8	400	50	160	2051	745	94.3	94.3	94.0	0.82	299	6.6	1.2	1.0	2.6	9.3	1700
IE3-W41R 355 M8	400	50	200	2564	745	94.7	94.9	94.2	0.81	376	7.0	1.0	1.0	2.7	9.5	1890
IE3-W41R 355 MX8	400	50	250	3204	745	95.0	95.0	95.0	0.83	458	7.0	1.2	1.0	2.6	13.4	2200
IE3-W41R 355 L8	400	50	280	3594	744	95.3	95.3	95.0	0.78	544	7.2	1.2	1.0	2.6	15.8	2400
IE3-W42R 355 MX8	400	50	250	3204	745	94.6	94.4	93.5	0.68	561	5.2	1.4	1.3	2.0	13.4	2300
IE3-W42R 355 L8	400	50	315	4038	745	95.0	95.0	95.0	0.73	656	5.7	2.0	1.5	2.2	15.8	2450
IE3-W42R 400 M8	400	50	355	4550	745	95.0	95.0	95.0	0.74	729	6.5	1.5	1.3	1.8	17.94	2800
IE3-W42R 400 MX8	400	50	400	5127	745	95.6	95.5	95.0	0.69	875	5.6	1.3	1	2	19.99	3170
IE3-W42R 400 L8	400	50	450	5768	745	95.0	95.0	95.0	0.74	924	6	1.5	1.3	1.8	22.34	3320

Bearings

Type	D-end										N-end			Figure of bearing				
	Light bearing LL					Heavy bearing VL					Pressure spring			D-end	D-end	N-end		
	Type of construction	Bearing type	Disc spring	Type	Units	V-ring	γ-ring	Bearing type	Disc spring	V-ring	γ-ring	Bearing type	V-ring	Type	Units	LL	VL	LL
IE3-W41R 355 M2	IM B3 IM V1	6317 C3	180	-	-	-	85	NU 317 E	180	-	85	6317 C3 Q317 C3	85A	-	-	1	2	3
IE3-W41R 355 M4, 6	IM B3 IM V1	6324 J C3	260	-	-	-	120	NU 324 E	260	-	120	6317 C3 Q317 C3	85A	-	-	1	2	3
IE3-W41R 355 MY8, M8	IM B3 IM V1	6324 J C3	260	-	-	-	120	NU 324 E	260	-	120	6317 C3 Q317 C3	85A	-	-	1	2	3
IE3-W42R 355 MX2, L2	IM B3 IM V1	6317 C3	180	-	-	-	85	NU 317 E	180	-	85	6317 C3 Q317 C3	85A	-	-	1	2	3
IE3-W42R 355 MX4, 6, 8; L4, 6, 8	IM B3 IM V1	6324 J C3	260	-	-	-	120	NU 324 E	260	-	120	6317 C3 Q317 C3	85A	-	-	1	2	3
IE3-W42R 400 M2, MX2, L2	IM B3	6317 C3	-	OD12110 1.1200	12	-	85	NU 317 E	-	-	85	6317 C3	85A	-	-	4	2	3
	IM V1	7317B	-	-	-	-	85	7218B + NU218 E	-	-	90	6317 C3	85A	OD12110 1.1200	12	1	5	6
IE3-W42R 400 M4, 6, 8; MX4, 6, 8; L4, 6, 8	IM B3	6324 J C3	-	OD22400 1.4310	12	-	120	NU 324 E	-	-	120	6319 C3	85A	-	-	4	2	3
	IM V1	7324B	-	-	-	-	85	7226B + NU226 E	-	-	90	6319 C3	85A	OD12110 1.1200	21	1	5	6



Terminal boxes

Standard design, VIK design

Type	Material	Intermediate flange	Dimensions				Thread ingoing cables	max. cable diameter	Terminal board	Number of terminals	Thread connecting bolt	Thread earth connector	Figure
			AG x	LL z	AH -	BE -							
Standard design													
630 A	GG-15	straight	496	390	301	140	M72 x 2	Ø 56.5 mm	KLP 630-20	6	M20	LK	03G
630 A	GG-15	inclined	496	390	301	140	M72 x 2	Ø 56.5 mm	KLP 630-20	6	M20	LK	03S
1000 A	GG-15	straight	615	474	385	200	M72 x 2	Ø 56.5 mm	KLSO 1000	6	StS	LK	04G
1000 A	GG-15	inclined	615	474	385	200	M72 x 2	Ø 56.5 mm	KLSO 1000	6	StS	LK	04S
1000 A	GG-15	straight	615	474	385	200	M80 x 2	Ø 68 mm	KLSO 1000	6	StS	LK	04G
1000 A	GG-15	inclined	615	474	385	200	M80 x 2	Ø 68 mm	KLSO 1000	6	StS	LK	04S
VIK design													
630 A Ex eb IIC	GG-15	straight	496	390	301	140	M75 x 1.5	Ø 45 mm	KLP 630-20	6	LK	LK	06G
630 A Ex eb IIC	GG-15	inclined	496	390	301	140	M75 x 1.5	Ø 45 mm	KLP 630-20	6	LK	LK	06S
1000 A Ex eb IIC	GG-15	straight	615	474	385	200	M80 x 1.5	Ø 68 mm	KLSO 1000	6	StS	LK	07G
1000 A Ex eb IIC	GG-15	inclined	615	474	385	200	M80 x 1.5	Ø 68 mm	KLSO 1000	6	StS	LK	07S

StS... current bar

LK... saddle terminal

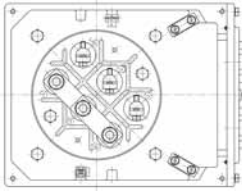
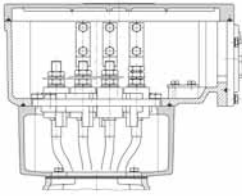


Figure 03G
Terminal box 630 A,
straight intermediate flange

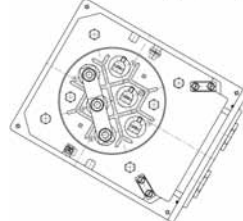
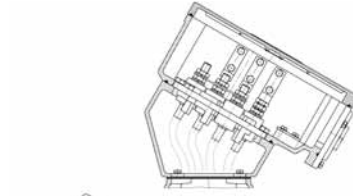


Figure 03S
Terminal box 630 A,
inclined intermediate flange

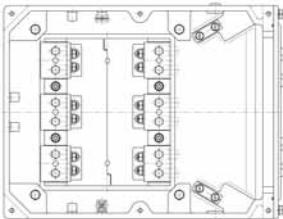
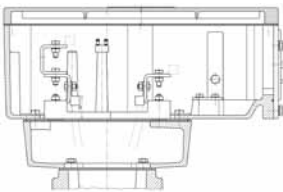


Figure 04G
Terminal box 1000 A,
straight intermediate flange

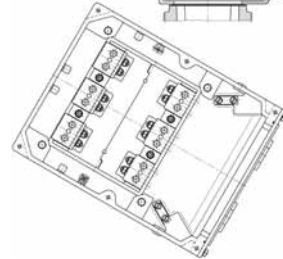
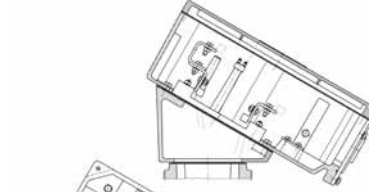


Figure 04S
Terminal box 1000 A,
inclined intermediate flange

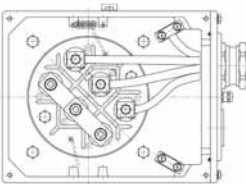
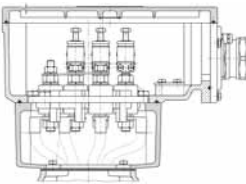


Figure 06G
Terminal box 630 A, Ex eb IIC
straight intermediate flange

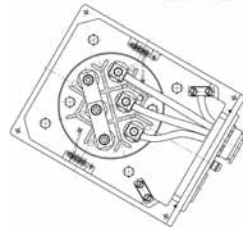
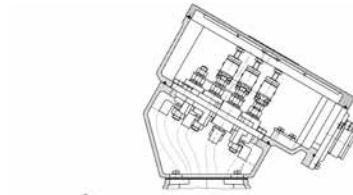


Figure 06S
Terminal box 630 A, Ex eb IIC
inclined intermediate flange

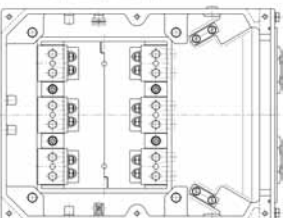
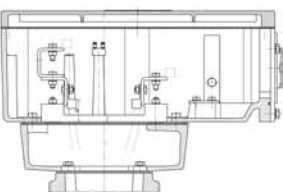


Figure 07G
Anschlusskasten 1000 A, Ex eb IIC
straight intermediate flange

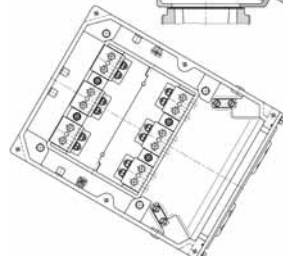
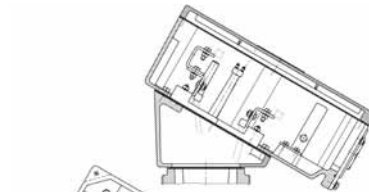


Figure 07S
Terminal box 1000 A, Ex eb IIC
inclined intermediate flange

Dimensions

Flange dimensions

Flange type acc. to DIN EN 50 347	Flange type acc. to DIN 42948	LA c_1	M e_1	N b_1	P a_1	S s_1	T f_1
FF 600	A 660	22	600	550	660	22	6
FF 740	A 800	25	740	680	800	22	6
FF 940	A1000	25	940	880	1000	28	6

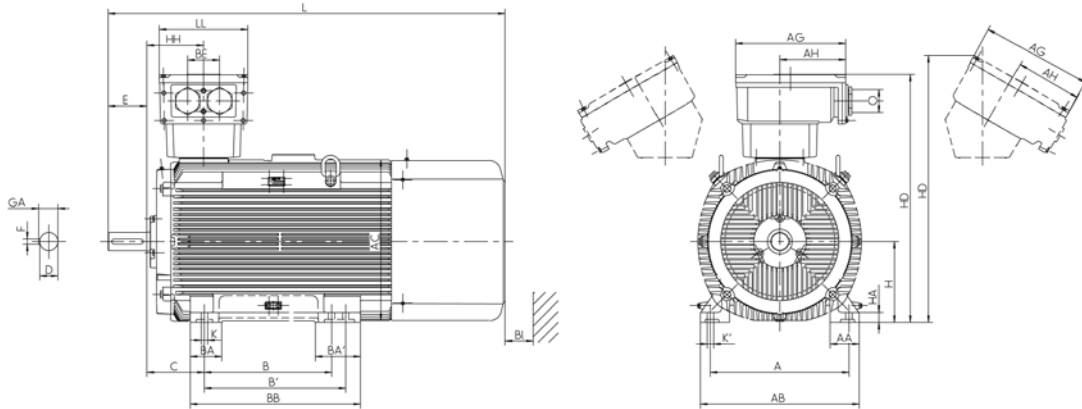
In EN 50347 the flanges FF with through hole are assigned to the shaft sizes.
The standard DIN 42948 is still valid for flanges A and C.

Tolerances for dimension N (b_1) see corresponding dimensional tables
LA (c_1) length of engagement

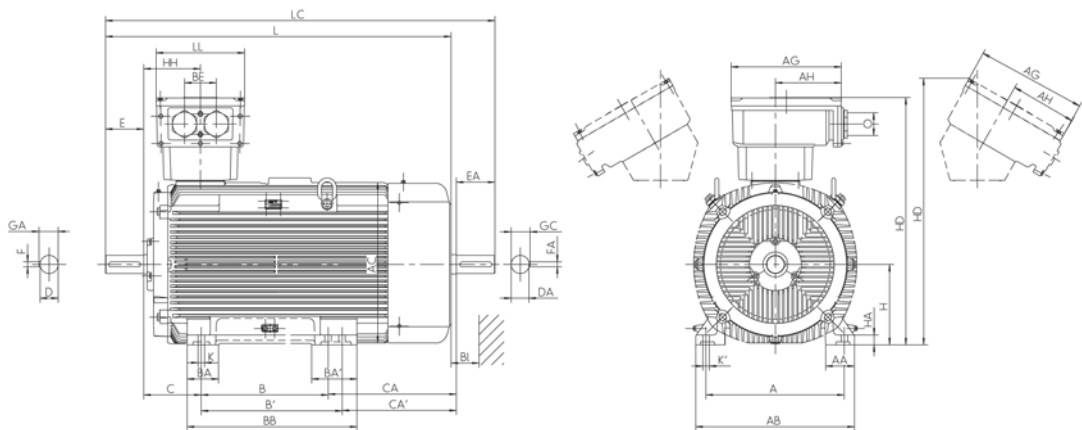
**Energy saving motors, Premium Efficiency IE3
Transnorm three-phase motors with squirrel-cage rotor**

Surface ventilation, type of cooling IC 411, degree of protection IP 55
Size 355 to 400

Type of construction IM B3 [IM 1002], 2-pole



Type of construction IM B3 [IM 1002], 4- to 8-pole



Type designation	Flange size	A	AA	AB	AC	B	BA	BA'	BB	C	CA	D	DA	DB ¹⁾	E	EA	F	FA
		b	n	f	g	a	m	m1	e	w1	w2	d	d1		l	l1	u	u1
IE3-W41R 355 MY2G, M2G	FF 740	610	130	700	715	560	140	200	750	254	561	80	80	M20	170	-	22	-
IE3-W41R 355 MY4, M4	FF 740	610	130	700	715	560	140	200	750	254	561	100	80	M24	210	170	28	22
IE3-W41R 355 MY6, 8, M6, 8	FF 740	610	130	700	715	560	140	200	750	254	561	100	80	M24	210	170	28	22
IE3-W42R 355 MX6, 8	FF 740	610	130	700	715	560	140	200	750	254	761	100	80	M24	210	170	28	22
IE3-W42R 355 MX2G	FF 740	610	130	700	715	560	140	200	750	254	761	80	80	M20	170	-	22	-
IE3-W42R 355 L2G	FF 740	610	130	700	715	630	140	200	750	254	691	80	80	M20	170	-	22	-
IE3-W42R 355 MX4	FF 740	610	130	700	715	560	140	200	750	254	761	100	80	M24	210	170	28	22
IE3-W42R 355 L4	FF 740	610	130	700	715	630	140	200	750	254	691	100	80	M24	210	170	28	22
IE3-W42R 355 L6, 8	FF 740	610	130	700	715	630	140	200	750	254	691	100	80	M24	210	170	28	22
IE3-W42R 400 M2G, MX2G	FF940	686	178	820	800	630	180	240	900	280	930	80	80	M20	170	-	22	-
IE3-W42R 400 L2G	FF940	686	178	820	800	710	180	240	900	280	850	80	80	M20	170	-	22	-
IE3-W42R 400 M, MX 4, 6, 8	FF940	686	178	820	800	630	180	240	900	280	930	110	80	M24	210	170	28	22
IE3-W42R 400 L4, 6, 8	FF940	686	178	820	800	710	180	240	900	280	850	110	80	M24	210	170	28	22

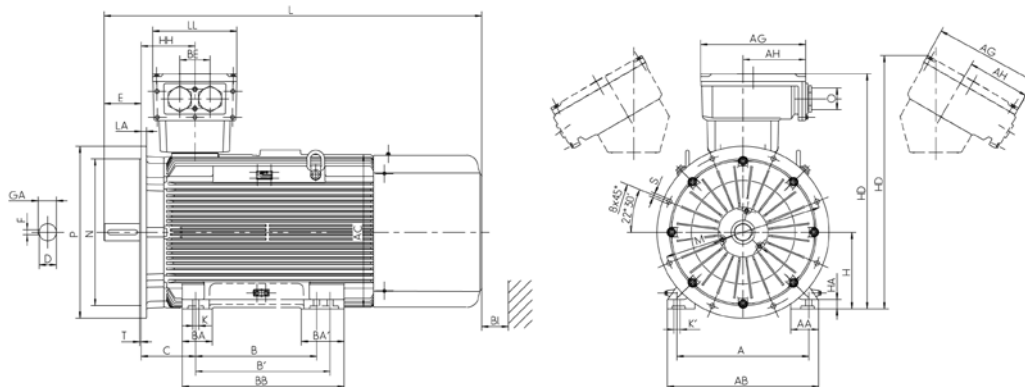
¹⁾ Centre holes acc. to DIN 332-DS

Energy saving motors, Premium Efficiency IE3 Transnorm three-phase motors with squirrel-cage rotor

Surface ventilation, type of cooling IC 411, degree of protection IP 55
Size 355 to 400

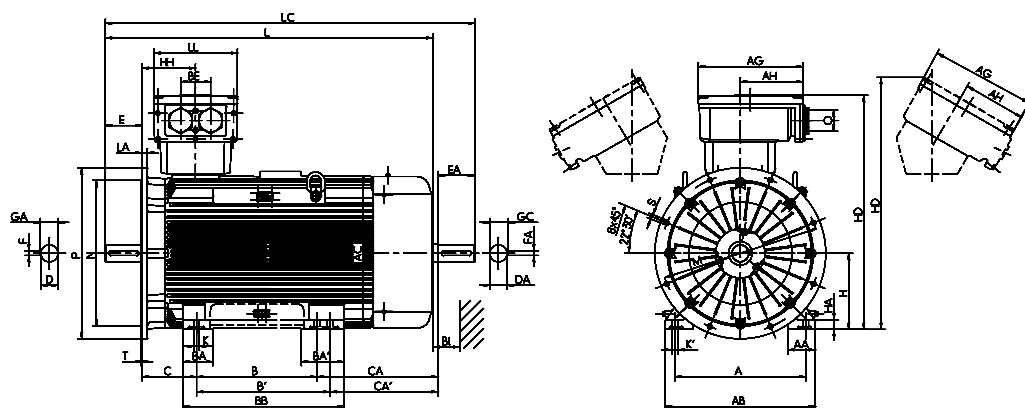
Type of construction IM B35 [IM 2002], 2-pole

Flange dimensions see page 3/9



Type of construction IM B35 [IM 2002], 4- to 8-pole

Flange dimensions see page 3/9



Type designation	GA	GC	H	HA	HD	HD**)	HH	K	K'	L	LC	TB Type	AG	LL	AH	BE	O	BI
	t	t1	h	c	p	p	A	s	s'	k	k1		x	z	-	-	r	Bl
IE3-W41R 355 MY2G, M2G	85	-	355	44	1091	1168	250	28	35	1530	-	630 A	496	390	301	140	M72 x 2	60
IE3-W41R 355 MY4, M4	106	85	355	44	1091	1168	250	28	35	1570	1755	630 A	496	390	301	140	M72 x 2	60
IE3-W41R 355 MY6, 8, M6, 8	106	85	355	44	1091	1168	250	28	35	1570	1755	630 A	496	390	301	140	M72 x 2	60
IE3-W42R 355 MX6, 8	106	85	355	44	-	1166	327	28	35	1770	1955	630 A	496	390	301	140	M72 x 2	60
IE3-W42R 355 MX2G	85	-	355	44	-	1172	327	28	35	1730	-	1000 A	615	474	385/596*	200	M72 x 2	60
IE3-W42R 355 L2G	85	-	355	44	-	1172	327	28	35	1730	-	1000 A	615	474	385/596*	200	M72 x 2	60
IE3-W42R 355 MX4	106	85	355	44	-	1172	327	28	35	1770	1955	1000 A	615	474	385/596*	200	M72 x 2	60
IE3-W42R 355 L4	106	85	355	44	-	1172	327	28	35	1770	1955	1000 A	615	474	385/596*	200	M72 x 2	60
IE3-W42R 355 L6, 8	106	85	355	44	-	1172	327	28	35	1770	1955	1000 A	615	474	385/596*	200	M72 x 2	60
IE3-W42R 400 M2G, MX2G	85	-	400	50	-	1273	339	35	42	1963	-	1000 A	615	474	385/596*	200	M80 x 2	100
IE3-W42R 400 L2G	85	-	400	50	-	1273	339	35	42	1963	-	1000 A	615	474	385/596*	200	M80 x 2	100
IE3-W42R 400 M, MX 4, 6, 8	116	85	400	50	-	1273	339	35	42	2003	2201	1000 A	615	474	385/596*	200	M80 x 2	100
IE3-W42R 400 L4, 6, 8	116	85	400	50	-	1273	339	35	42	2003	2201	1000 A	615	474	385/596*	200	M80 x 2	100

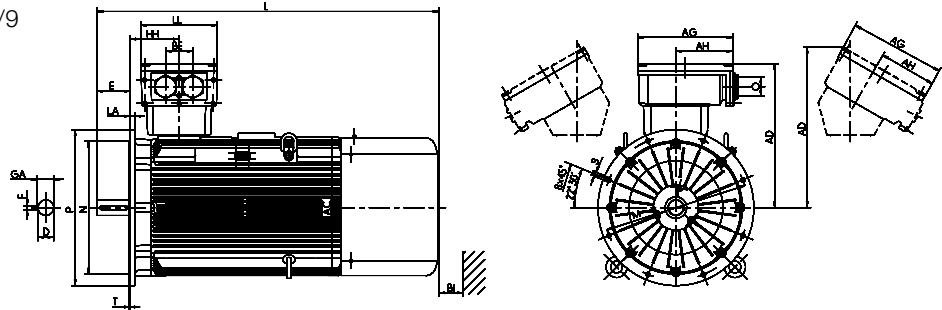
** Terminal box inclined left/right

**Energy saving motors, Premium Efficiency IE3
Transnorm three-phase motors with squirrel-cage rotor**

Surface ventilation, type of cooling IC 411, degree of protection IP 55
Size 355 to 400

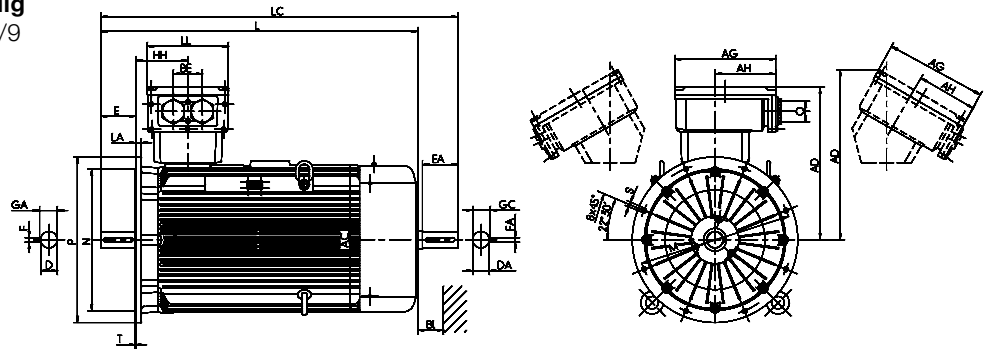
**Type of construction IM B5 [IM 3001],
IM V1 [IM 3011], 2-pole**

Flange dimensions see page 3/9



**Type of construction IM B5 [IM 3001],
IM V1 [IM 3011], 4- bis 8-polig**

Flange dimensions see page 3/9



Type designation	Flange size	AC g	AD g1	AD'' ¹⁾ g1	D d	DA d1	DB'' ¹⁾	E l	EA l1	F u	FA u1	GA t	GC t1
IE3-W41R 355 MY2G, M2G	FF 740	715	736	813	80	-	M20	170	170	22	22	85	85
IE3-W41R 355 MY4, M4	FF 740	715	736	813	100	80	M24	210	170	28	22	106	85
IE3-W41R 355 MY6, 8, M6, 8	FF 740	715	736	813	100	80	M24	210	170	28	22	106	85
IE3-W42R 355 MX6, 8	FF 740	715	-	811	100	80	M24	210	170	28	22	106	85
IE3-W42R 355 MX2G	FF 740	715	-	817	80	-	M20	170	170	22	22	85	85
IE3-W42R 355 L2G	FF 740	715	-	817	80	-	M20	170	170	22	22	85	85
IE3-W42R 355 MX4	FF 740	715	-	817	100	80	M24	210	170	28	22	106	85
IE3-W42R 355 L4	FF 740	715	-	817	100	80	M24	210	170	28	22	106	85
IE3-W42R 355 L6, 8	FF 740	715	-	817	100	80	M24	210	170	28	22	106	85
IE3-W42R 400 M2G, MX2G	FF 940	810	-	873	80	-	M20	170	-	22	22	85	85
IE3-W42R 400 L2G	FF 940	810	-	873	80	-	M20	170	-	22	22	85	85
IE3-W42R 400 M, MX 4, 6, 8	FF 940	810	-	873	110	80	M24	210	170	28	22	116	85
IE3-W42R 400 L4, 6, 8	FF 940	810	-	873	110	80	M24	210	170	28	22	116	85

Type designation	H h	HA c	L k	LC k1	TB Type	AG x	LL z	AH -	AH	BE -	O r	BI BI
IE3-W41R 355 MY2G, M2G	355	44	1530	1715	630 A	496	390	301		140	M72 x 2	60
IE3-W41R 355 MY4, M4	355	44	1570	1755	630 A	496	390	301		140	M72 x 2	60
IE3-W41R 355 MY6, 8, M6, 8	355	44	1570	1755	630 A	496	390	301		140	M72 x 2	60
IE3-W42R 355 MX6, 8	355	44	1770	1955	630 A	496	390	301		140	M72 x 2	60
IE3-W42R 355 MX2G	355	44	1730	1915	1000 A	615	474	385	596	200	M72 x 2	60
IE3-W42R 355 L2G	355	44	1730	1915	1000 A	615	474	385	596	200	M72 x 2	60
IE3-W42R 355 MX4	355	44	1770	1955	1000 A	615	474	385	596	200	M72 x 2	60
IE3-W42R 355 L4	355	44	1770	1955	1000 A	615	474	385	596	200	M72 x 2	60
IE3-W42R 355 L6, 8	355	44	1770	1955	1000 A	615	474	385	596	200	M72 x 2	60
IE3-W42R 400 M2G, MX2G	400	50	1963	2161	1000 A	615	474	385	596	200	M80 x 2	100
IE3-W42R 400 L2G	400	50	1963	2161	1000 A	615	474	385	596	200	M80 x 2	100
IE3-W42R 400 M, MX 4, 6, 8	400	50	2003	2201	1000 A	615	474	385	596	200	M80 x 2	100
IE3-W42R 400 L4, 6, 8	400	50	2003	2201	1000 A	615	474	385	596	200	M80 x 2	100

¹⁾ Centre holes acc. to DIN 332-DS

²⁾ Terminal box inclined left/right

VEM Holding GmbH

Pirnaer Landstraße 176
01257 Dresden
Germany

Sales

Low voltage department

Tel. +49 3943 68-3127
Fax +49 3943 68-2440
E-mail: low-voltage@vem-group.com

High voltage department

Tel. +49 351 208-3237
Fax +49 351 208-1108
E-mail: high-voltage@vem-group.com

Drive systems department

Tel. +49 351 208-1180
Fax +49 351 208-1185
E-mail: drive-systems@vem-group.com

VEM Service

Tel. +49 351 208-3237
Fax +49 351 208-1108
E-mail: service@vem-group.com



For detailed information
please visit our website.

www.vem-group.com