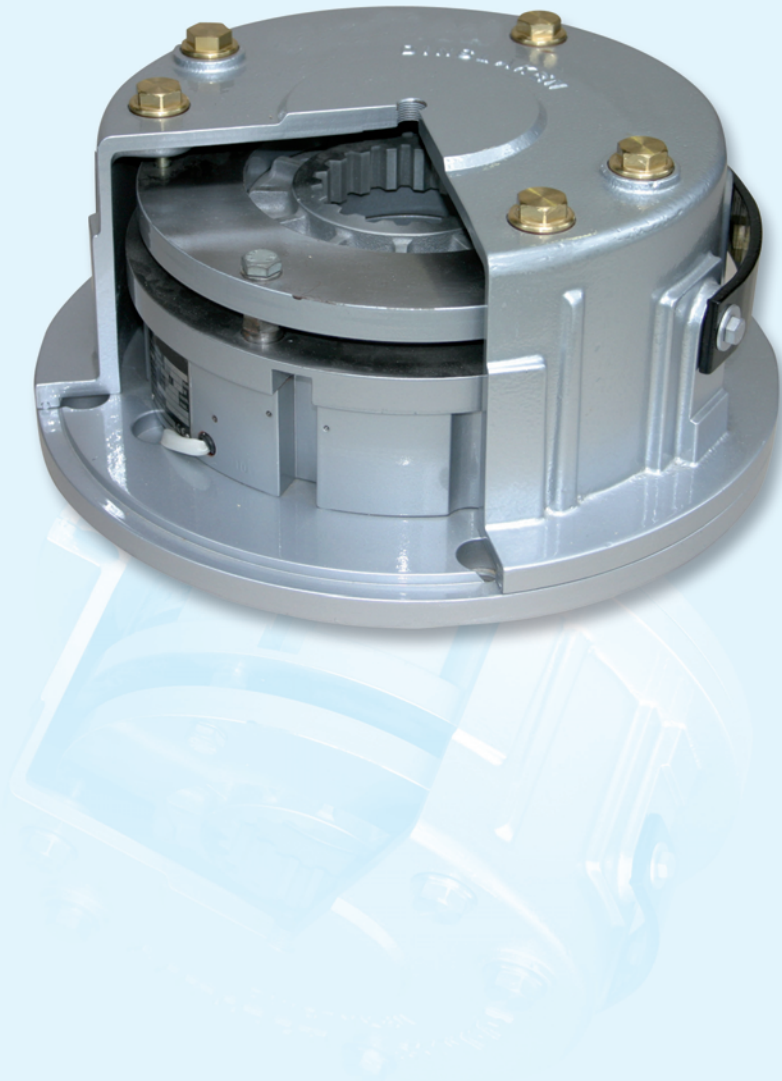


# Spring-Set Brake KFB



C

**PINTSCH BUBENZER**  
is certified according to  
DIN EN ISO 9001:2000



Reliable



High Performance



Robust



Easy Maintenance



Compact



Tried and Trusted

## Main Features

spring applied safety brake
protection-class IP67 – seawater protected
high wear reserve by multiple air gap adjustment
small construction at high work capacity
high availability caused by high durability
functional without cover
screws for manual lifting

## Applications

gantry-, trolley- and hoisting-application at harbour cranes
dynamic and static use at general industrial applications
general engineering
steel mills
wind energy systems
coal mining

## Options

special brake torque
handlever
micro- or proximity switch: • function check brake on/off • maximum air gap (wear-monitoring)
lateral junction box
tacho preparation with all mounting parts
cover bore
shaft-sealings
special voltage
anticondensation heater
lateral cable-outlet
special flanges
special electrical equipment: one-way-, bridge-, and switching- rectifier
overvoltage protection element
brake control unit = BCU 2001
brake control and monitoring system = BCMS-4



### Please Note

We supply a detailed operating manual with every order. Nevertheless, we would point out that brakes are only as safe as the servicing and maintenance performed while they are in operation. The guarantee for the correct functioning of our brakes is therefore only valid if the user adheres to the German DIN standard 15434 part 2 (drum and disc brakes, servicing and maintenance in operation), or to comparable standards in his own country.



### PINTSCH BUBENZER Service

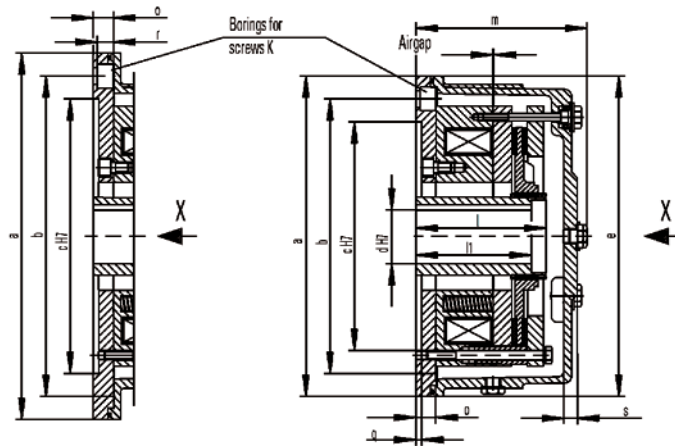
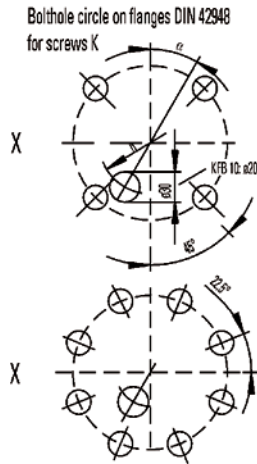
This includes the verification of the brake selection, if required. A detailed questionnaire is provided for this purpose. Installation and commissioning on site is possible by PINTSCH BUBENZER service engineers. Drawings as DWG/DXF files for your engineering department are available upon request.

# Spring-Set Brake KFB

Dimensions and technical data



Rev. 05-08



The larger dimension belongs to the larger assigned brake.

Alterations reserved without notice

Brake size			KFB 10	KFB 16	KFB 25	KFB 30	KFB 40	KFB 63	KFB 100	KFB 160
Brake torque M2 dynamic acc. to DIN VDE 0580 Nm			100	160	250	300	400	630	1000	1600
Mass moment of inertia kgm <sup>2</sup>			0.0017	0.0037	0.0048	0.0055	0.0068	0.0175	0.036	0.050
Mass (weight) kg			19	28	42	50	55	74	106	168
max. speed min <sup>-1</sup>			6000	6000	6000	6000	5500	4700	4000	3600
Coil b. 20° C	Nominal voltage	V DC	110	110	110	110	110	110	110	110
	Nominal power	W	93	128	158	133	196	220	307	344
	Nominal current	A	0.84	1.16	1.44	1.2	1.78	2.0	2.79	3.13
Airgap, OFF										
			norm. mm	0.3	0.3	0.3	0.3	0.4	0.4	0.4
			max. mm	1.0	1.0	1.2	0.8	1.2	1.3	1.6
Diameter mm	B-Side	d pilot bore	26	26	36	26	36	36	36	36
		d <sup>H7</sup> preferential bore	28	28	38	32	38	48	60	60
			32	32	42	38	42	55	65	65
			38	38	48	42	48	60	75	75
					55	45	55			
Lengths mm	e	200/250	253/303	300/350	250/300	303/350	350/400	400/450	450/550	
	f									
	h	106	144	194	144	194	214	264	314	
	l	110	96	117	137	117	142	148	155	
	l <sup>1</sup>	110	96	117	137	117	142	142	142	
	m	154	141	165	175	175	187	196	218	
	s	15	15	15	15	15	15	15	17	
A	α°	30	30	30	67.5	30	30	30	30	
Suitable standards flanges			A200	A250	A300	A250	A300	A350	A400	A450
			A250	A300	A350	A300	A350	A400	A450	A550
Dimensions of standards flanges										
Size of standards flanges			A200	A250	A300	A350	A400	A450	A550	
Diameter mm	a		200	250	300	350	400	450	550	
	b		165	215	265	300	350	400	500	
	c <sup>H7</sup>		130	180	230	250	300	350	450	
	o		18	18/20*	20/22*	22	22/24*	24/29*	24/29*	
	r		11	13	13	17.5	17.5	17.5	17.5	
Lengths mm	q		5	5	5	6	6	6	6	
	k		4xM10	4xM12	4xM12	4xM16	4xM16	8xM16	8xM16	

