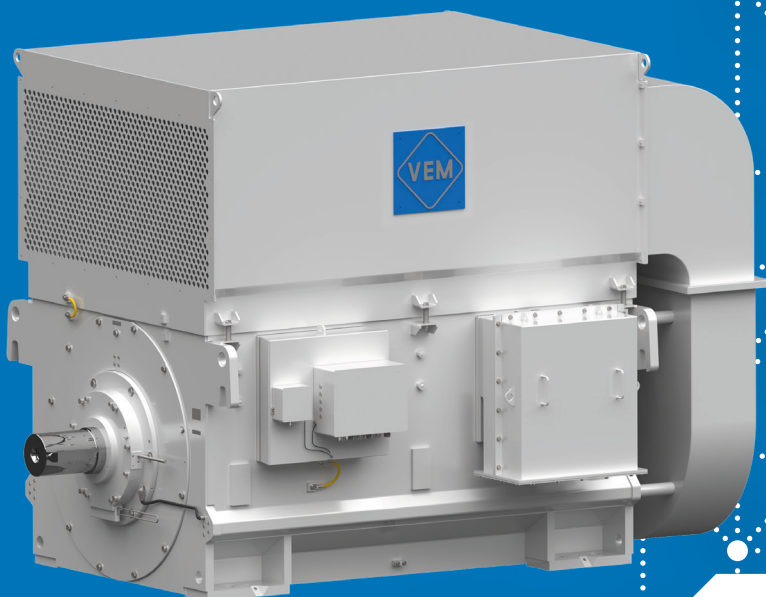




Tradition
since 1886

ELECTRIC DRIVES
FOR EVERY DEMAND



**Three-phase asynchronous
motors with squirrel cage
rotor, frame size 355 - 710**

Benefit from short
delivery times due to
already existing
designs!

VEM MODULAR
standardized motors



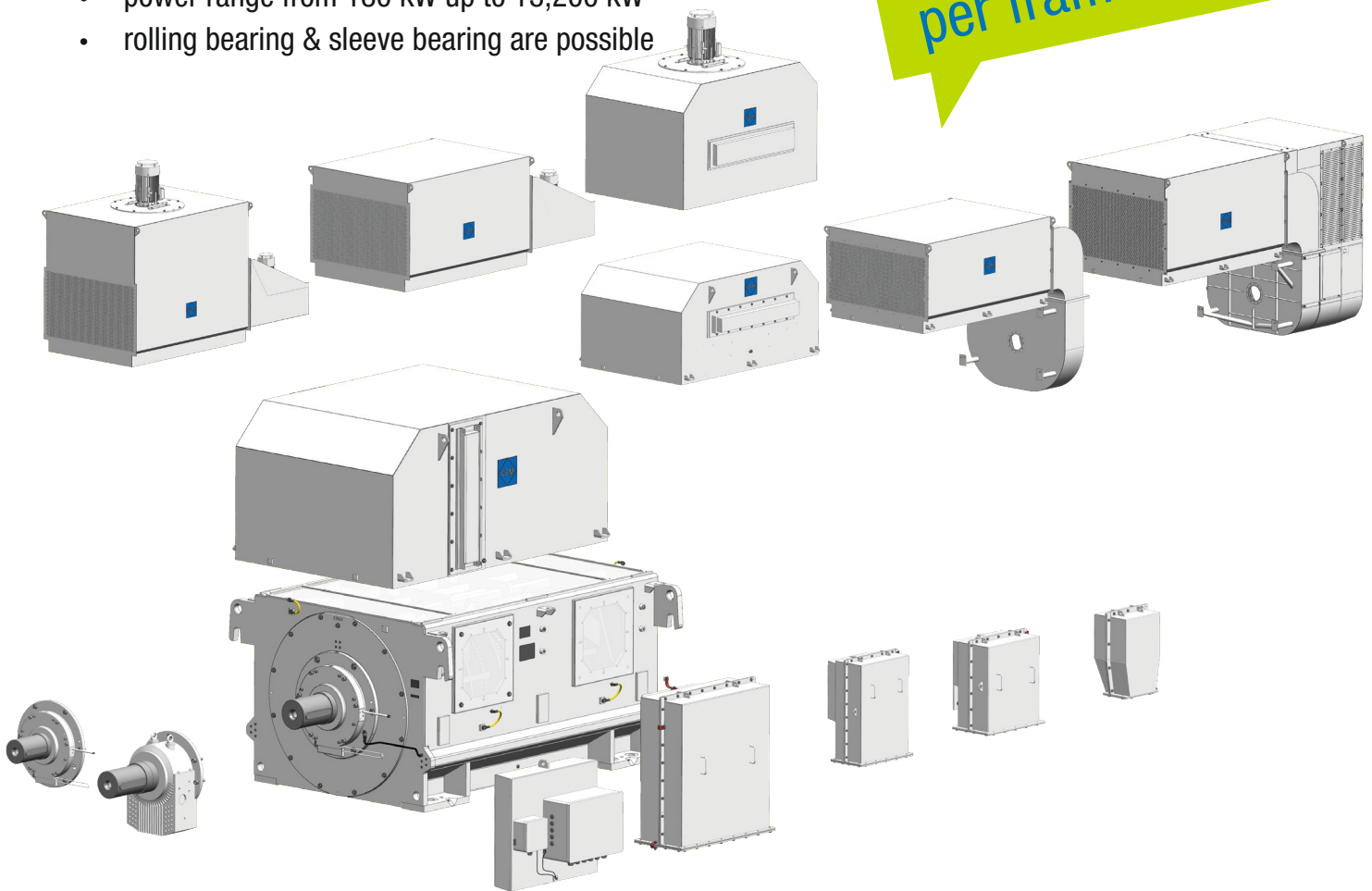
Designed in Germany, made for the world - since 1886

VEMoMODULAR is a modular high-voltage motor series from 6 to 11 kV (other on request), which was completely engineered in Germany. In this modular series, required efficiencies are exceeded and new environmentally friendly production steps are implemented cost-effectively in well-known VEM quality.

VEMoMODULAR is also characterised by the following features:

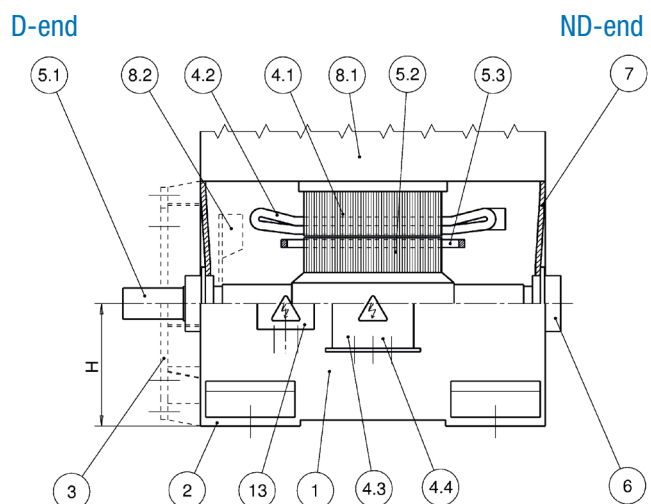
- power supply on 50 Hz & 60 Hz as well as MV variable speed drives
- squirrel cage rotor or slip ring rotor
- cooling types IC01/81W & IC611 & their variants
- number of poles: 2...12
- types of construction: B3 & V1 and their variants
- power range from 180 kW up to 13,200 kW
- rolling bearing & sleeve bearing are possible

More than 1,000 modifications per frame size!



Schematic diagram

- 1 Welded motor frame
- 2 Frame feet
- 3 Frame flange option (type of construction (V1))
- 4.1 Stator core
- 4.2 Stator winding
- 4.3 Cable connection box
- 4.4 Optional star point (opposite side)
- 5.1 Rotor with shaft end
- 5.2 Rotor core
- 5.3 Cage winding
- 6 Bearing
- 7 Bearing endshield
- 8.1 Cooler hood with heat exchanger
- 8.2 Shaft-mounted fan as internal fan
- 13 Auxiliary terminal box

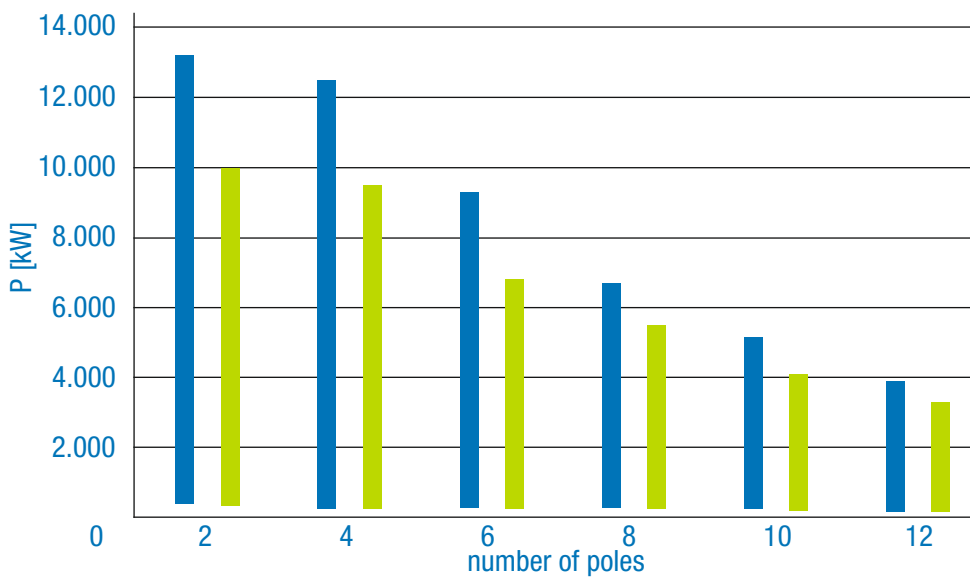


VEMoMODULAR - What you can expect

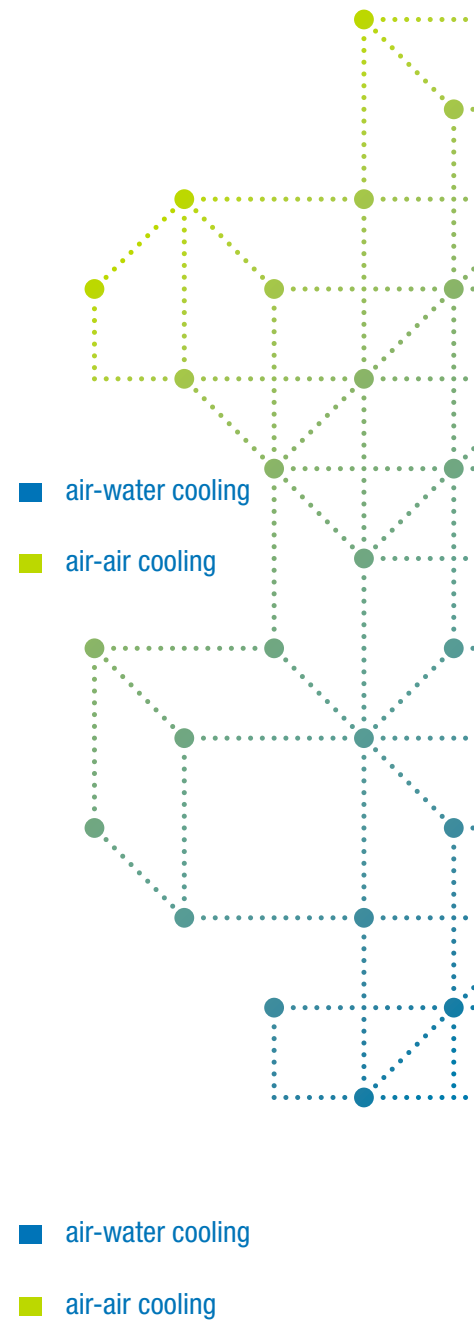
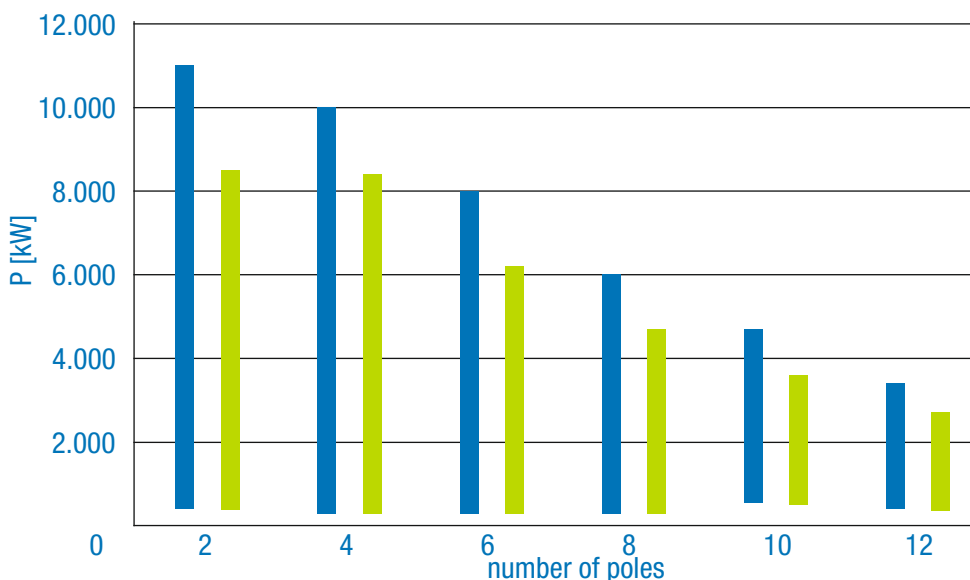
- compact & modular design
- highest durability & reliability
- advanced insulation system based on the proven VEMoDUR VPI 155
- based on many years of design manufacturing & field experience
- two frame lengths & basic versions of the main assemblies
- exceeds IEC requirements
- large number of footprint images can be reproduced due to flexible welded constructions
- fully symmetrical enclosure, allowing flexible mounting of main and auxiliary terminal boxes as well as other accessories
- quickly available standard documentation
- contact persons & project management as well as customer approval in Germany
- low noise level (2-pole machines have integrated silencers as standard)
- furthermore, on your demand:
 - explosion proof (Ex e, Ex t, Ex p)
 - certificates: EAC, CAA, CCC, ATEX, IECex & more
 - mechanical adaption (for replacements) on request

Delivery overview

Three-phase asynchronous squirrel-cage motor, 6kV



Three-phase asynchronous squirrel-cage motor, 10kV





Martin Reismann
martin.reismann@vem-group.com
+49 175 184 9736



Peter Stiewe
peter.stiewe@vem-group.com
+49 171 912 8386



Henrik Görnitz
henrik.goerlitz@vem-group.com
+49 172 351 8603

Our commitment to you in 3 facts:

- 1 flexibility & quality: high German quality & design
- 2 modern testing equipment for all motors in Germany up to 6 MW test capacity, V1 vertical testing possible
- 3 VEM service: worldwide hotline 24/7

You need more information, like:

- dimensional drawings
- data sheets

Find our standard online at:

VEM **eKAT^{V10}**
<https://shop.vem-group.com>

VEM GmbH

Pirnaer Landstraße 176
01257 Dresden
Germany

VEM Sales

Low voltage department

Ph +49 3943 68-3127
Fax +49 3943 68-2440
Email low-voltage@vem-group.com

High voltage department

Ph +49 351 208-3237
Fax +49 351 208-1108
Email high-voltage@vem-group.com

Drive systems department

Ph +49 351 208-1154
Fax +49 351 208-1185
Email drive-systems@vem-group.com

VEM Service

Ph +49 351 208-3237
Fax +49 351 208-1108
Email service@vem-group.com

www.vem-group.com